

MI-IF-230-X - LED OBSTRUCTION LIGHT

**230V_{ac} input voltage / 48V_{dc} output voltage
Medium Intensity Type C, B / FAA L-864, L-885,
2000cd Obstruction Light**

Key Features

- Based on LED Technology
- 2000cd steady burning red light
- 2000cd flashing with CSW flash controller unit or power supply PS-230-1A8-PCFL
- Extremely reliable - long lifetime
- Very low power consumption
- 230V_{ac} 50Hz Input Voltage
- Stabilised light output
- Lightweight and small - low wind load factor
- Easy to install
- No RF radiations
- Five (5) year warranty

Benefits

- Long maintenance intervals
- Low energy costs
- Supply voltage variations do not effect light output
- Low wind load
- Very low lifetime costs

Specifications Met

- ICAO International standards and Recommend Practices Aerodromes - Annex 14 Vol 1, 3rd Edition, July 1999, Chap 6: Medium intensity, Type C Fixed Obstacle Light. FAA Advisory Circular 150/5345-43F L-864 and L885 Light Unit

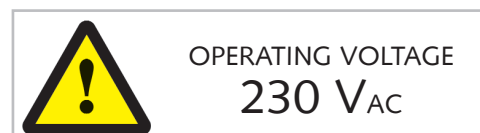
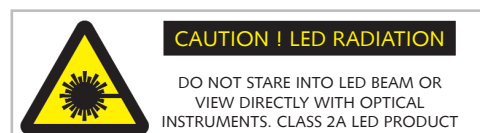
Optical Characteristics

- Intensity better than 2000cd
- Colour aviation red
- Horizontal radiation pattern 360°
- Vertical radiation pattern 3°
- Current for the LEDs is stabilised by a CCG
- 10 year continuous operating time



Options

- CSW 48-x-F: Flash controller
- CSW-48-x-F-GPS: Flash controller with global flash synchronisation by GPS-UTC time
- CSW-48-x-F-GSM controller with GSM communication
- Power supply PS-48-6A, 230 VAC / 12 VDC, 6a
- Power supply PS-48-6A-PCFL with flash controller and photocell
- Battery back up system
- Solar operated power supply system
- Mounting kits



MI-IF-230-X - LED OBSTRUCTION LIGHT

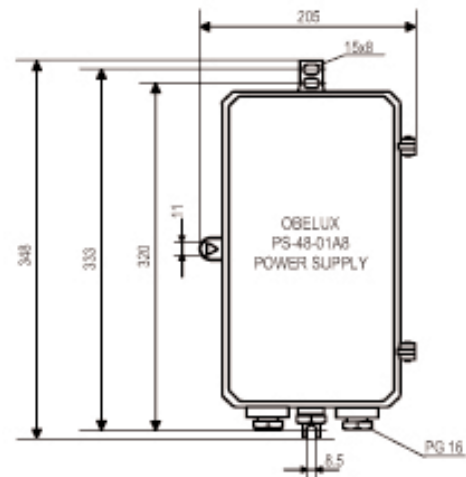
Electrical Characteristics

- LED's in several separate groups
- Nominal operating voltage 230V_{AC}
- Power consumption 28W @ steady burn
- Power consumption 4.6W @ 20fpm, flash duration 250ms
- Constant current <2.4A
- Operating voltage range 40 to 56V_{DC}
- Three stage overvoltage protection



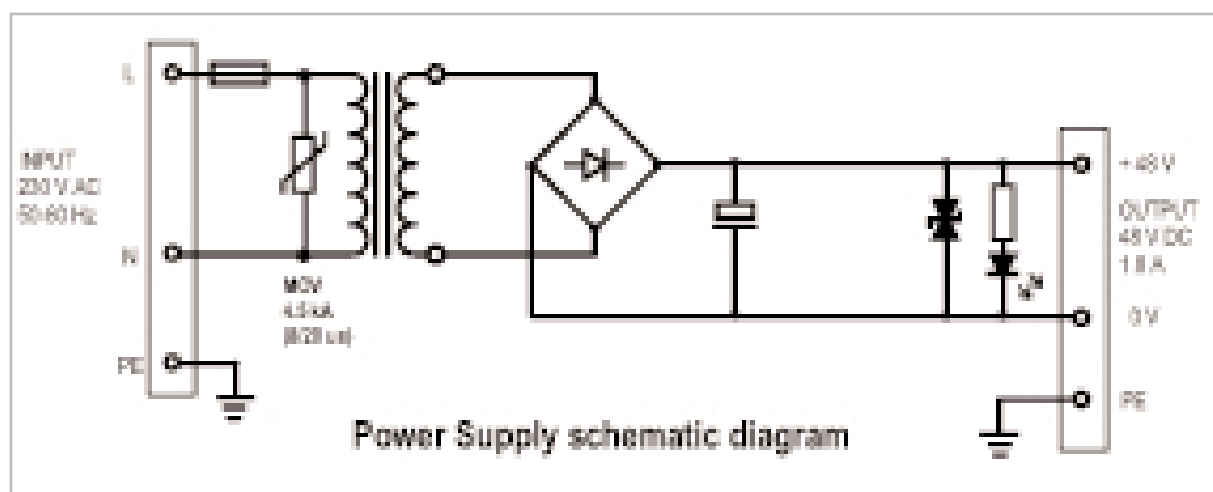
Mechanical Characteristics

- Anodised aluminium body
- Glass cover
- Terminal box for 1,5 - 6mm² wires
- Degree of protection IP 65
- Operating temperature range -55° to + 75°C
- Height 330mm, diameter 205mm, weight 1.1 Kg
- Mounting set V or H and terminal box included
- Wind load with mounting set @ 500 N @ 200 km/h



Installation Specifications

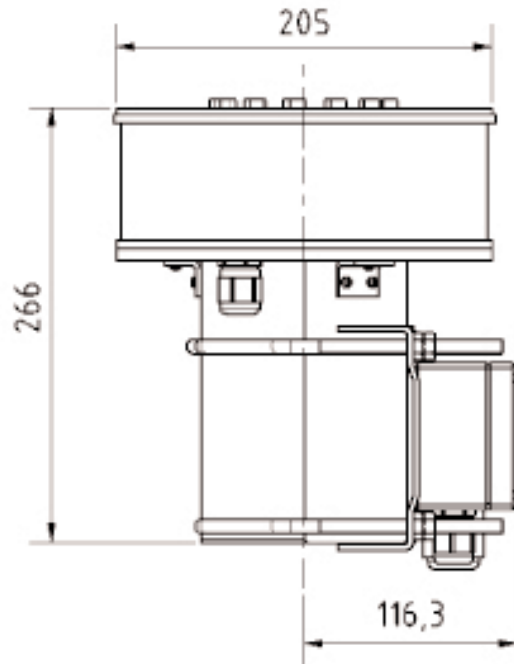
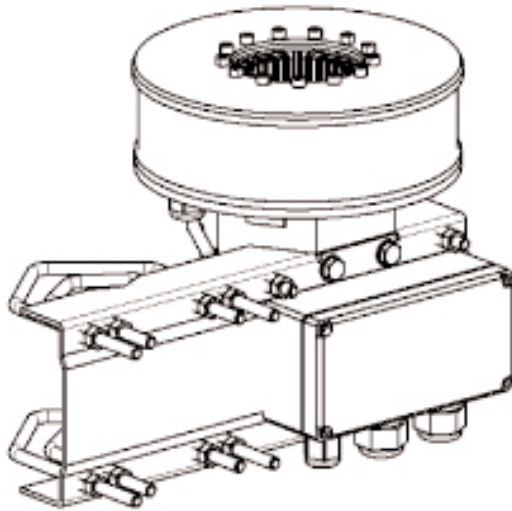
- Cable gland: M25
- Cable diameter: 11 to 17mm
- Wire diameter: max 6mm²
- Recommended cable: 2 x 1.5mm² + 1.5 or 2 x 2.5mm² + 2.5mm²



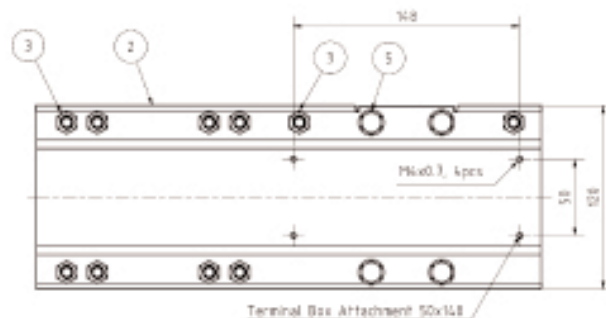
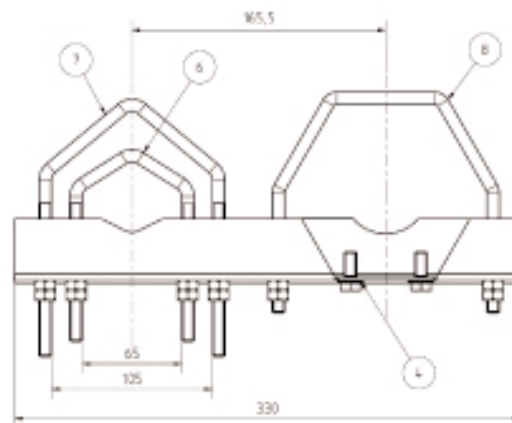


MI-IF-230-X - LED OBSTRUCTION LIGHT

Obelux MI-IF-xxx-V
Light unit with -V mounting set. Mounting to Vertical pipe



Mounting plate, U-bolts, hex nuts: Acid Proof steel
Terminal box: Polycarbonate
Mounting set weight: 1,9 kg



Mechanical Dimensions

MI-IF-230-X - LED OBSTRUCTION LIGHT

Obelux MI-IF-xxx-H

Light unit with -H mounting set. Mounting to Horizontal plate by L-shape brackets

Mounting plate, U-bolts, hex nuts: Acid Proof steel

Terminal box: Polycarbonate

Mounting set weight: 1,3 kg

