

## MI-20KW-048-X - LED OBSTRUCTION LIGHT

### 48V<sub>DC</sub> Medium Intensity FAA L-865, L-866, 20000cd White Flashing Obstruction Light

#### Key Features

- Based on LED Technology
- 2000cd and 20,000cd effective flashing white
- Extremely reliable - long lifetime
- Very low power consumption
- 48V<sub>DC</sub> nominal operating voltage
- Stabilised light output
- Lightweight and small - low wind load factor
- Easy to install
- No RF radiations
- Five (5) year warranty

#### Benefits

- Long maintenance intervals
- Low energy costs
- Supply voltage variations do not effect light output
- Low wind load
- Very low lifetime costs

#### Specifications Met

- ICAO International standards and Recommend Practicies Aerodromes - Annex 14 Vol 1, 5th Edition, July 1999, Chap 6: Medium intensity, Type A Fixed Obstacle Light. FAA Advisory Circular 150/5345-43F L-864 and L885 Light Unit

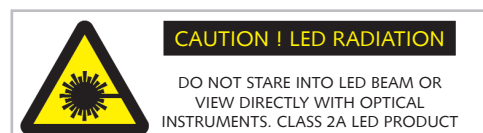
#### Optical Characteristics

- 20,000cd effective day mode
- 2,000cd effective night mode
- Colour aviation white
- Horizontal radiation pattern 360°
- Vertical radiation pattern 3°
- Current for the LEDs is stabilised by a CCG
- 10 year continuous operating time



#### Options

- GPS Flash synchronisation
- GSM controlling and fault reporting
- PCE external photocell
- Two isolated RS-485 interfaces



## MI-20KW-048-X - LED OBSTRUCTION LIGHT

### Light Head Controller

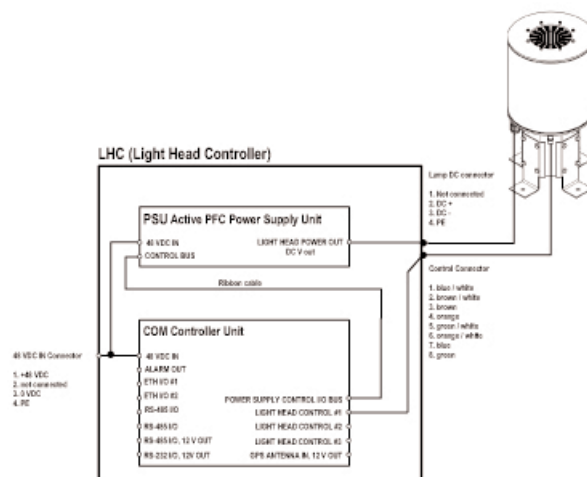
- Nominal operating voltage 48V<sub>DC</sub>
- Constant power input by active PFC power supply
- Internal photocell (external as an option)
- Flash rates, 20,40,60 fpm
- Two ethernet ports, built in switch
- IP communication
- Overvoltage protection

### Electrical Characteristics

- LED's in several separate groups
- Nominal operating voltage 12V<sub>DC</sub>
- Power consumption 29W @ steady burn
- Power consumption 4.8W @ 20fpm, flash duration 250ms
- Constant current <2.4A
- Operating voltage range 11.5 to 16V<sub>DC</sub>
- Three stage overvoltage protection

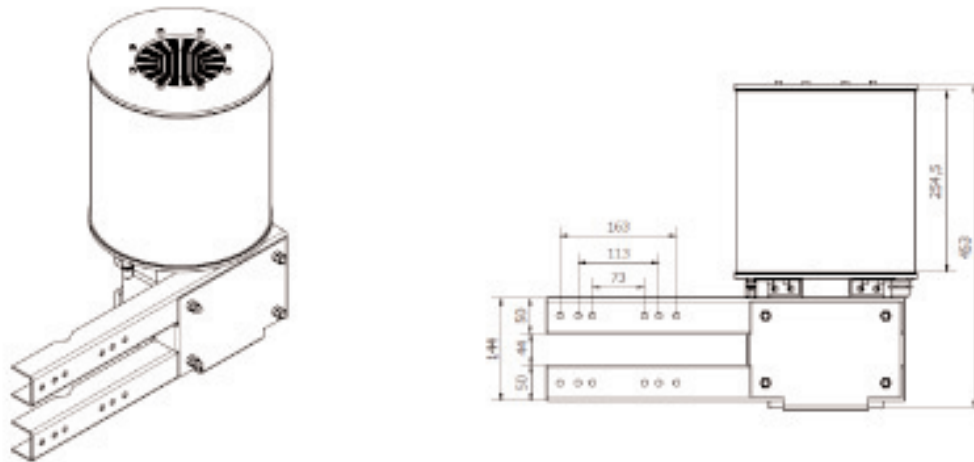
### Mechanical Characteristics

- Anodised marine grade aluminium body
- Glass cover
- Power cable type 5m / control cable 5m
- Degree of protection IP 65
- Operating temperature range -40° to + 55°C
- Height 550mm, diameter 250mm, weight 16.5Kg
- Mounting set V or H and terminal box included



**MI-20KW-048-X - LED OBSTRUCTION LIGHT**

**Mounting set -V. Mounting to vertical pipe:**



**Mounting set -H. Mounting to horizontal surface:**

