

IR850-012-CST - INFRARED LED OBSTRUCTION LIGHT

12V_{DC} NVG compatible Infra Red Obstruction Light - UK Onshore Windfarms

Application

Night vision goggles (NVG) compatible 850nm infra red obstruction light approved for UK wind turbines and similar vertical assemblies when such structures are built within MOD low flying tactical training airspace.

Key Features

- Based on LED technology
- Extremely reliable
- Very long life span
- Low power consumption
- 12V_{DC} operating voltage
- Stabilised light output
- Easy to install
- Mounting set and terminal box included

Benefits

- Long maintenance intervals
- Low energy costs
- Input power voltage variations do not affect the light output
- Very low lifetime costs

Optical Characteristics IR

- Typical intensity 600mW/sr
- Colour Infrared 850nm
- Horizontal radiation pattern 360deg
- Vertical radiation pattern -15deg / +30deg
- LED supply current stabilised by constant current generator
- Light output degradation less than 25% after 100,000h

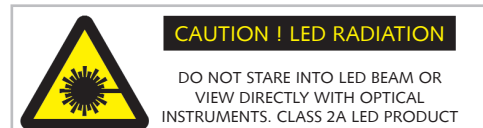
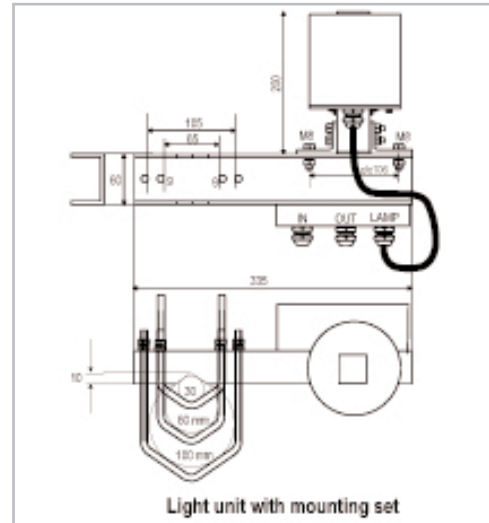
Electrical Characteristics

- Nominal operating voltage 12V_{DC}
- Power consumption <15.5W (<1.3A constant current)
- Average power consumption with 60fpm, 250ms flash duration <2.5W



Options

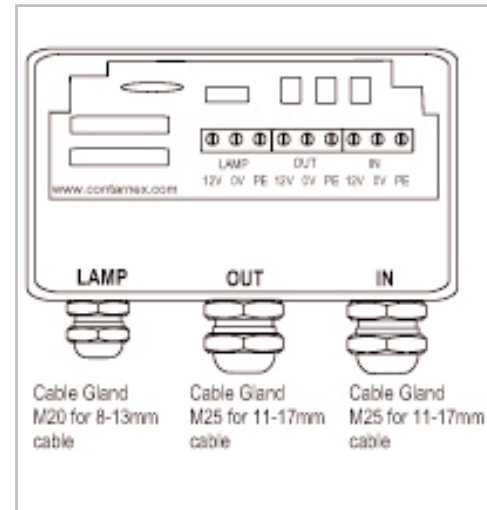
- CSW-12-16-GPS, flash controller and fault monitoring unit with GPS synchronisation



IR850-012-CST - INFRARED LED OBSTRUCTION LIGHT

Mechanical Characteristics

- Black anodised aluminium light body parts
- Galvanised mounting arm
- Acid proof U bolts and hex nuts
- Uncoloured glass cover
- Degree of protection IP 65
- Operating temperature range -55° to + 55°C
- Height 170mm, diameter 140mm
- Total weight with mounting set 3.2Kg
- 5 year warranty



Installation Specifications

- Cable gland: for lamp: M20, 8-13mm cable
- Cable gland for IN and OUT: M25, 11-17mm cable
- Wire diameter: max 6mm²
- Recommended cable: 3 x 1.5mm² or 3 x 2.5mm²

