

Model A702 with Switch

Three Mile Aviation Light

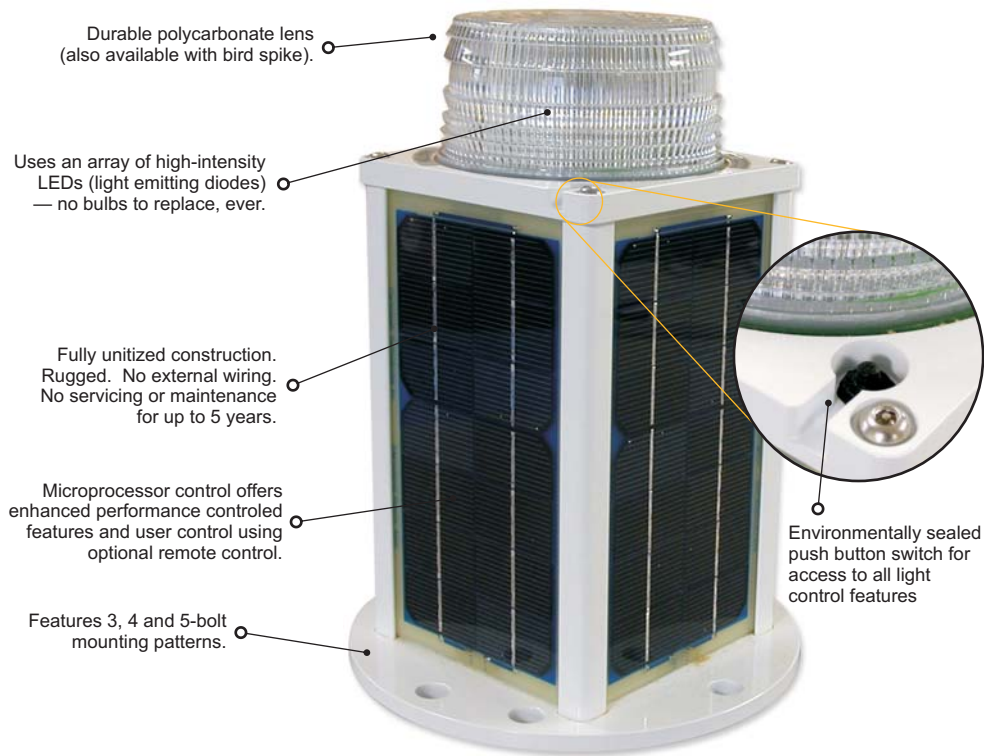
S
L
A
R
A
V
I
A
T
I
O
N
L
I
G
H
T

Typical Applications

- Defense Operations
- Drop Zones
- Expedited Airfields
- Runway edge lighting³
- Threshold lighting
- Helipad lighting

Features & Benefits

- Simple unit control via environmentally sealed push-button switch
- 3x adjustable intensity
- Provides up to five years of operation with no maintenance, servicing or infrastructure costs
- Installation takes minutes and requires minimal technical expertise
- Easily mounted to standard frangible coupling
- Completely self-contained and sealed against environmental conditions
- Extremely rugged, waterproof and vandal resistant
- Distance of visibility up to 3 miles (5.4 kilometers)
- Will charge under nearly all weather conditions
- Up to 80 hours of operating capacity from a full charge
- Features four bolt mounting patterns
- Replaceable battery packs available
- Manufactured under ISO:9001 Quality Assurance Practices
- Available in red, green, amber, white and blue
- 30 day satisfaction guarantee and three year warranty



Durable polycarbonate lens (also available with bird spike).

Uses an array of high-intensity LEDs (light emitting diodes) — no bulbs to replace, ever.

Fully unitized construction. Rugged. No external wiring. No servicing or maintenance for up to 5 years.

Microprocessor control offers enhanced performance controlled features and user control using optional remote control.

Features 3, 4 and 5-bolt mounting patterns.

Environmentally sealed push button switch for access to all light control features

The Carmanah Model A702 with Switch is the world's most advanced, fully-integrated, solar LED portable distance aviation marking light. It installs in minutes and requires no maintenance or servicing for up to five years.

Typical Applications

Initially implemented for expedited airfield lighting with the US Air Force and the US Army, the 700 Series are the first solar powered LED aviation lights to be used for fixed wing and rotary aircraft operations at remote airfield landing strips and expedited airfields.

Fully-integrated, self-contained and watertight, the A702 with Switch light is designed for rapid deployment and high performance. The light operates only when switched on by a user, maximizing available power and autonomy for when it is needed to support operational needs.

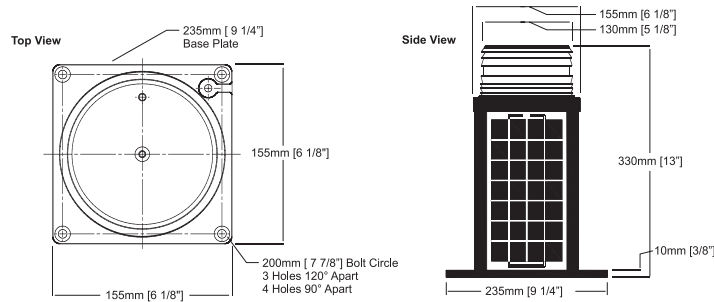
The Technology

Utilizing an innovative combination of solar and LED technology, the 700 Series lights charge during the day, even under cloudy conditions. Instead of traditional incandescent bulbs, the 700 Series use durable, high-intensity light emitting diodes (LEDs), which have a lifespan of up to 100,000 hours. Therefore, other than replacing the battery packs approximately every 5 years, the 700 Series are designed to operate flawlessly with no additional servicing or maintenance.

No external wiring, no battery or bulb replacement, no maintenance, no worries...

Model A702 with Switch

Three Mile Aviation Light



SPECIFICATIONS

LIGHT OUTPUT

Output Modes	Steady-on (100%, 50%, High-intensity) Flash (60 fpm) High intensity
Steady-on	6 Cd @ 100% output 3 Cd @ 50% output
Flash (60 fpm)	18 Cd flash mode
Emergency Function	24 Cd in the dark - turns off after 1hr in the daytime
Vertical Divergence	0-6 degrees @ 100% intensity

OPERATION

Daily Operational Profile	For 15 minutes once switched on during the day. Until dawn once switched on at night.
Latitude Range ¹	55° N to 55° S
Illumination Technology	21 or 24 LEDs, depending on color
Lifespan of LEDs	Up to 100,000 hrs.
Color Output	180° Sectored Red/Green, White, Blue LEDs/Blue Lens or Red LEDs/Red Lens
On/Off Lux Level	23 lux average / 85 lux average Response to lux level change: approx. 10 sec.
FLASH MODE - On Time/Off Time	0.2 sec. / 0.8 sec.

AUTONOMY

ALC disabled	120 hours @ full power (100% Battery)
ALC Enabled	270 hours starting at full power (100% Battery)

SOLAR PANELS

Type	Mono-Crystalline Potted with UV-protected polyurethane
Maximum Power	11.2 Watts
Efficiency	14%

ENVIRONMENTAL

Maximum Temperature Range ³	-40 °C to +80 °C (-40 °F to +176 °C)
Waterproofing	As per IP67 (NEMA 6)

CONSTRUCTION

Lens Color	Clear, Blue or Red
Lens Material	UV-resistant polycarbonate
Battery Venting	One-way 4 psi vent at bottom of light
Head Assembly Material	Powder coated aluminum
Housing Assembly Material	Powder coated aluminum
Sealing	Self-contained unit, sealed with NBR rubber gaskets
Weight	7.75 kg (17 lbs.)

PATENTS and TRADEMARKS

Patents and Trademarks	U.S. Patents	5,782,552 / 6,013,985 / 6,573,659
	Canadian Patents	2,241,044
	U.S. Trademarks	2,862,539
	Canadian Trademarks	TMA496,756
	Other Patents and Trademarks	Pending

¹ Lights will function reliably at latitudes higher than 55° North or South, however solar performance will be diminished due to decreased incident solar insulation. Extra care should therefore be taken to preserve operational capacity when operating outside this latitude range

² Consistent ambient temperatures above +25 °C (+77 °F) will affect overall battery life. Temperature above +60 °C (+140 °F) may affect output.

³ Not available for all applications. Please call your sales representative for clarification.

All specifications are subject to change without notice.

Carmanah is a Canadian public corporation - TSX: CMH

Carmanah is an ENERGY STAR® partner.

© 2006 Carmanah Technologies Corp.
"Carmanah" and Carmanah logo are trademarks of Carmanah Technologies Corp.
Document: SPC_AVIA-A702switch_vD